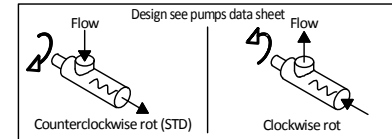
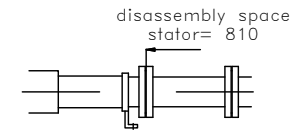
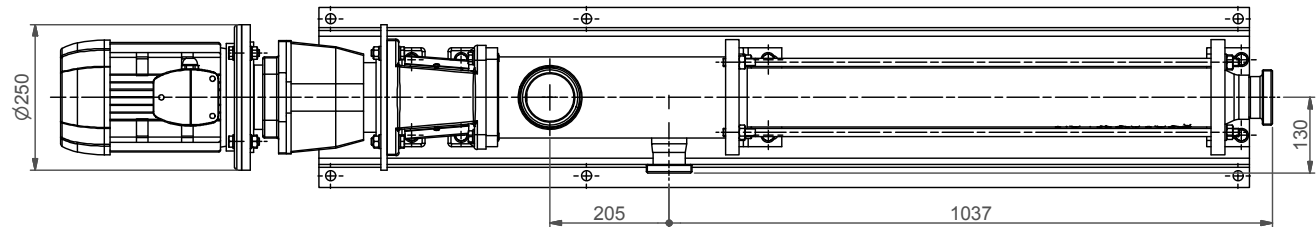
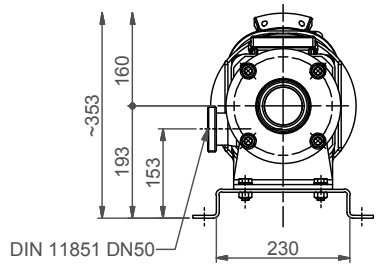
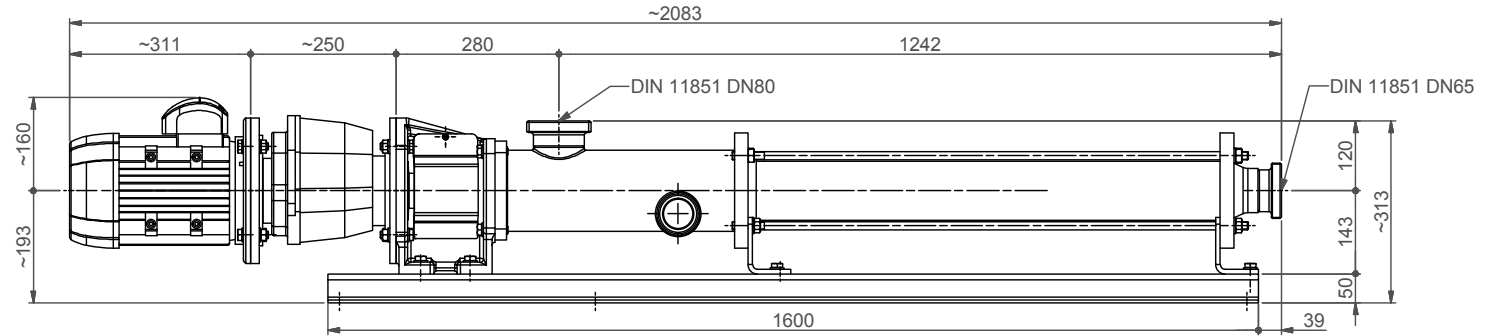
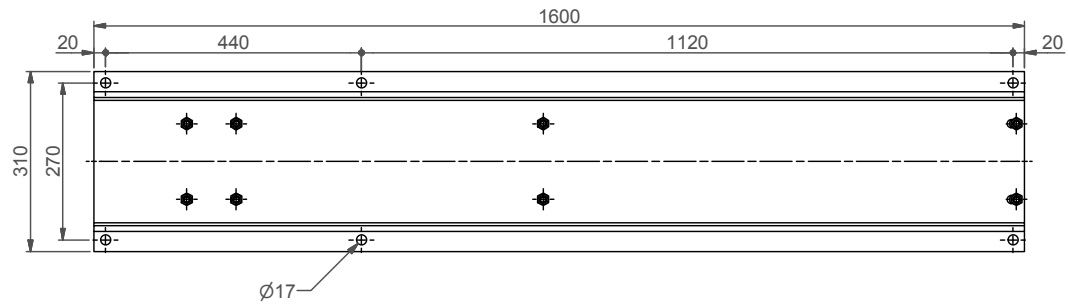


# C.W.M. S.R.L.



|                     |                  |   |                |
|---------------------|------------------|---|----------------|
| Replacement for:    | Replacement by:  |   |                |
| TYPE: <b>M50-4</b>  | Drawn: GM        | Scale: 1:13   | Weight: 158 kg |
| Denomination:       | Date: 21/11/13   |   | Sheet 1 of 1   |
| Dimensional Drawing | Check: GM        |   |                |
|                     | Date: 10/07/2014 | <i>General Tolerances ISO 2768-v</i><br><i>Geometrical tolerance and roughness ISO 1302</i> |                |
|                     |                  |   |                |
|                     |                  |   |                |